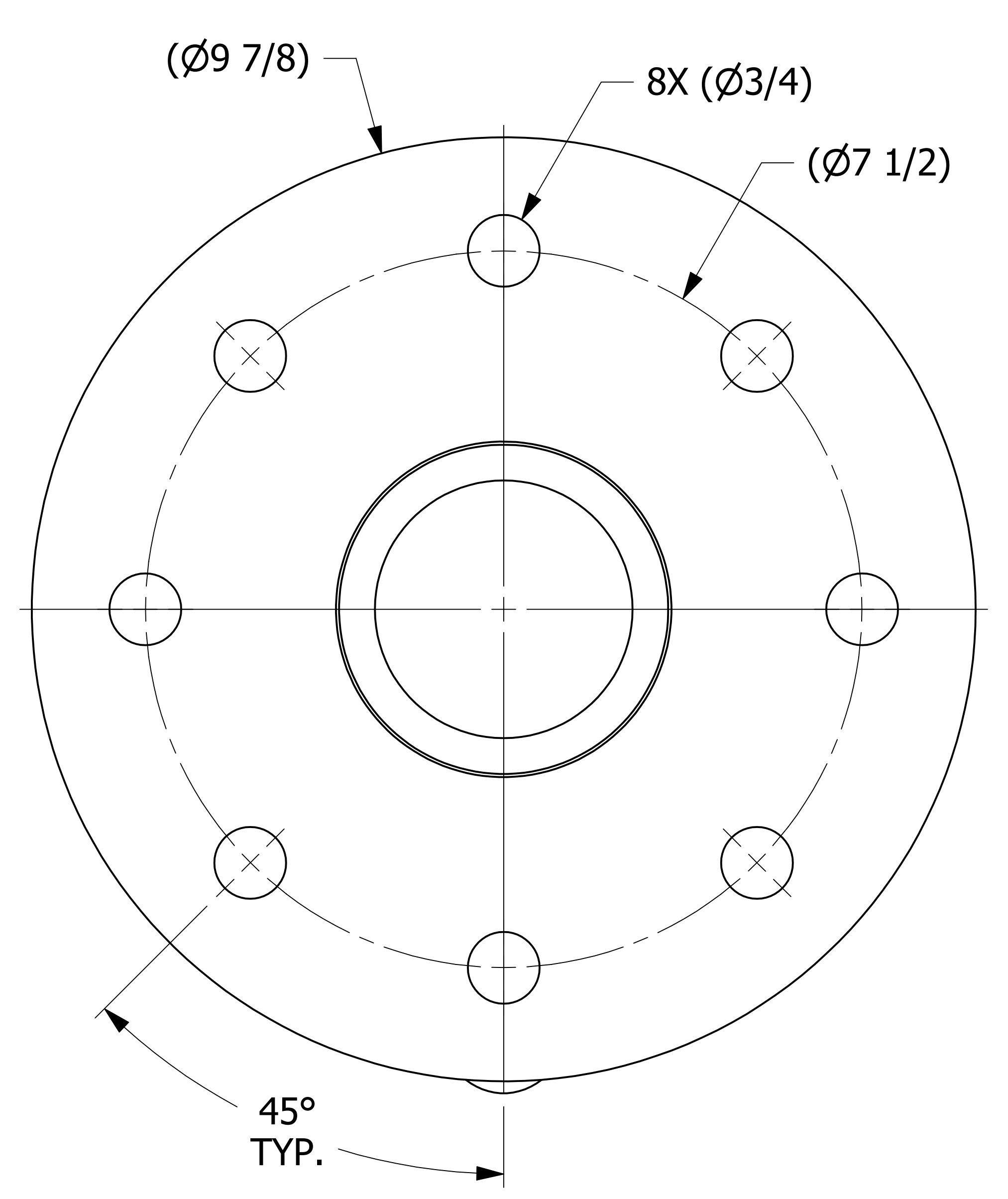
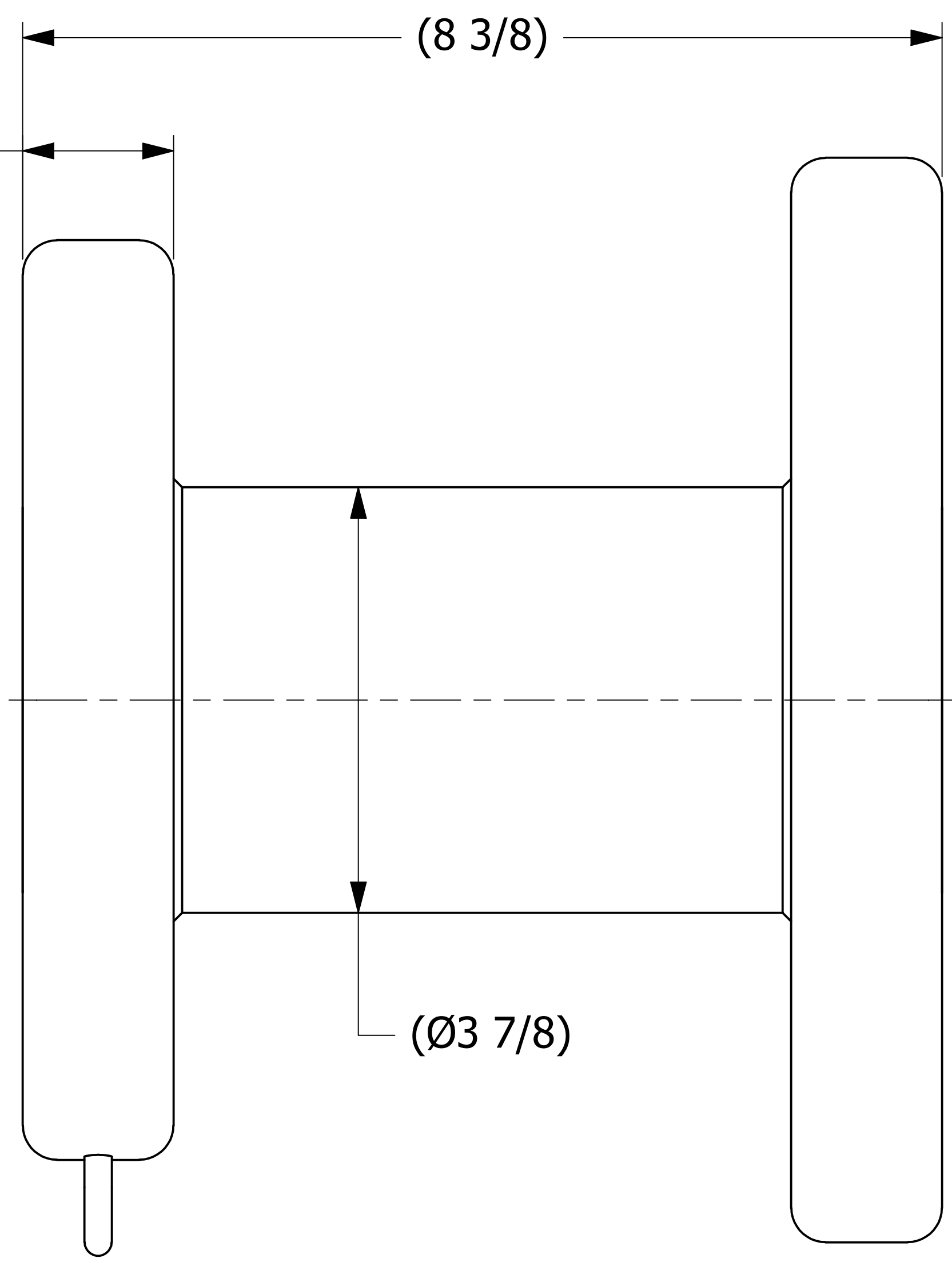
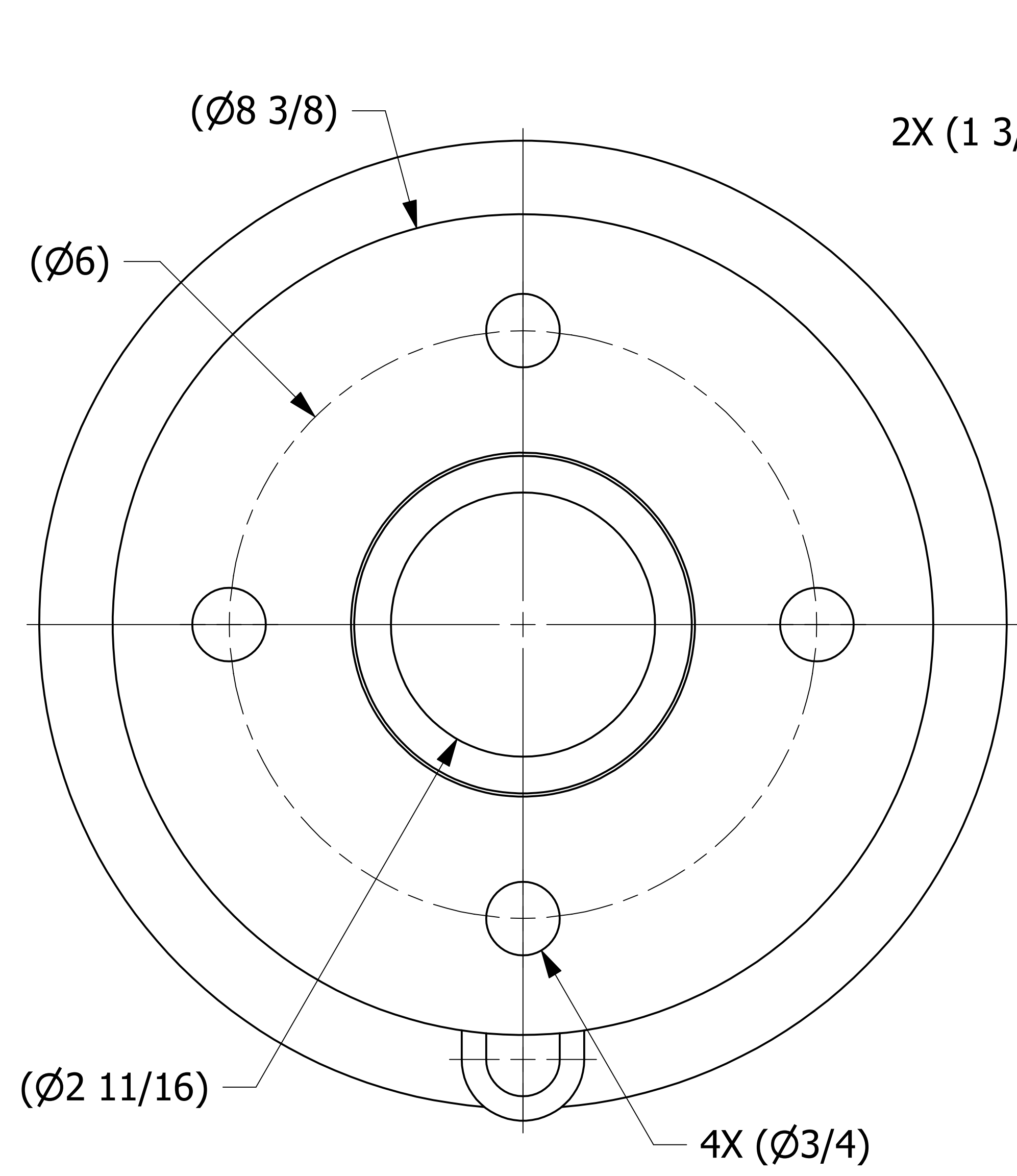
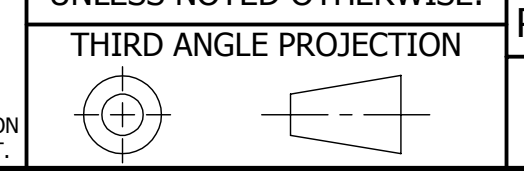


SALES DRAWING SALES DRAWING

SALES DRAWING SALES DRAWING



UNLESS OTHERWISE SPECIFIED  
DIMENSIONAL TOLERANCES  
FRACTIONAL:  $\pm 1/16$   
X.XX:  $\pm .03$   
X.XXX:  $\pm .015$   
ANGULAR:  $\pm 1^\circ$   
DEBURR ALL SHARP EDGES.  
ALL MACHINED SURFACES TO  
HAVE A 125 RMS FINISH  
UNLESS NOTED OTHERWISE.



DRAWN BY:	RJP
CHECKED BY:	JRO
PROTOTYPE BY:	RJP
PROTOTYPE DATE:	11/17/2015
APPROVED FOR PRODUCTION BY:	JRO
PRODUCTION DATE:	11/19/2015

A	RJP	11-19-15	RELEASED FOR PRODUCTION
REV	BY	DATE	DESCRIPTION
<b>SALCO PRODUCTS, INC.</b>			
PART NAME: <b>DOUBLE FLANGE 6"X7 1/2"</b>			
MATERIAL: <b>RUBBER-LINED CARBON STEEL</b>			
PROJECT #:	H151112F2	SHEET #:	1 OF 1
DRAWING #:		PART #:	
<b>D42760</b>		<b>DF675RLB</b>	
		SCALE:	1:1

THIS PRINT, PROPERTY OF SALCO PRODUCTS INC. CONTAINS PROPRIETARY INFORMATION AND MUST NOT BE COPIED, REPRODUCED, OR USED DETRIMENTALLY TO OUR INTEREST.